

HOLMAN

VH7324 Splitter PRO

1 Station | 1 Cable | Up To 4 Valves

Operate up to 4 valves from a single pair of control cables on a single controller station. The Splitter PRO is designed to split an existing single station on the controller and a single active cable into up to 4 identically timed, sequentially operated valves. You simply program the controller station for the total amount of run time required by all valves connected to the Splitter PRO. This model will sense how many valves are connected to the splitter and will split the run time equally.



- ✓ **THE SPLITTER PRO IS LOCATED AT THE EXISTING VALVE AND UTILISES EXISTING FIELD WIRING**
- ✓ **LEDs INDICATE STATUS**
- ✓ **AUTOMATICALLY SENSES IF A COIL IS CONNECTED**
- ✓ **PROGRAM THE CONTROLLER STATION FOR THE TOTAL AMOUNT OF RUN TIME REQUIRED FOR ALL ATTACHED VALVES AND THE SPLITTER WILL DO THE REST**

Installation Instructions

Cables from irrigation controller:

Orange - ACTIVE
White - COMMON

Cables to Valves:

Zone 1 - BLUE
Zone 2 - BROWN
Zone 3 - RED
Zone 4 - BLACK

Fault Indication

1. BIU flashing, no other lights
All OK, power on the Splitter valves working
2. BIU flashing, TX solid ON
Over current fault, faulty valve skipped. Will clear if fault goes away
3. BIU solid ON, TX solid ON, RX solid ON
Open circuit common or no valves connected

Note: 3 LEDs on the Splitter Pro

Power Requirements

Input - 24VAC, 50 or 60Hz

Life Expectancy

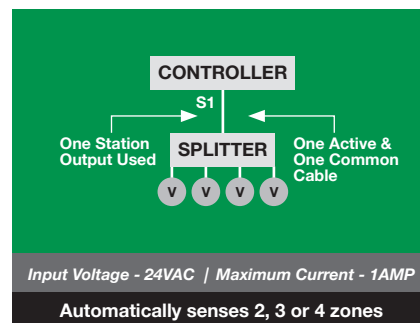
50,000 operations

Switching Capacity

0.5Amps, 10VA

Packaging

Epoxy encapsulated. Suitable for direct burial



How Does it Work?

The Splitter PRO works by dividing the previous total programmed run time by the amount of connected valves. It then applies the run time to each valve.

In the initial set up the Splitter PRO will rotate the run time between all connected solenoid valves. So it starts by putting 1 minute on each connected valve. If power continues to be supplied, the Splitter PRO will double the previous run time (ie. 2 minutes) and apply to all valves. If time is still running, the Splitter PRO will apply 4 minutes to each valve. This process continues until all programmed time is used. The next time the Splitter PRO runs it will divide the last run time total by the amount of solenoid valves.

To have a longer run time on one valve connected to the Splitter PRO, simply connect 2 outlets of the Splitter PRO to one valve. This valve will then run twice as long as the other valves.

Watering Time

To increase the watering time

If the programmed watering time is increased, the valves will run for the time as set previously. The cycle will start again from valve 1. Each valve will run at the previously set time until extra time has been run. At the next start time the new watering time will be split equally between all the valves.

To reduce the watering time

If the programmed watering time is reduced, the valves will run for the time as set previously until the new time has been completed. At the next start time the new watering time will be split equally between all the valves.

Note: If the station with the Splitter PRO is run manually it should be set for the same time as the total automatic run time. Do not interrupt a watering cycle as this will change the next automatic schedule.



HOLMAN

Made and Serviced in Australia
Splitter PRO | Product Code: VH7324

11 Walters Drive, Osborne Park WA 6017
P.O. Box 1538, Osborne Park WA 6916
PH +61 8 9416 9999 | FAX +61 8 9416 9920
sales@holmanindustries.com.au
www.holmanindustries.com.au