

Our *EzyOne Mini* works like a clock, sending an electrical signal to solenoid valves located around your garden. These valves divide the system up into zones or **STATIONS**. This helps to maintain the right amount of pressure for your sprinklers. Each solenoid is connected to the *EzyOne Mini* via an individual cable. To complete the electrical circuit, a **COMMON** wire runs from the *EzyOne Mini* to all your valves. To open a valve (or water a **STATION**), the *EzyOne Mini* sends an electric current to lift a plunger in the solenoid coil. After the **RUN TIME** has expired, the electric current is discontinued and the valve closes. The *EzyOne Mini* will then automatically open the next valve in the sequence, continuing this way until all allocated **STATIONS** have been watered. In addition, the *EzyOne Mini* can have up to three different **START** and **RUN TIMES** on each station.

Additional Features

SEASONAL WATER SAVING

- Watering durations can be adjusted proportionally by a percentage from 10-100%
- E.g. Water 100% during Summer, and 40% during Autumn

- Turn the **MAIN DIAL** to **RUN** and press **+**
- Use **+** or **-** to adjust the **WATER SAVER %** shown on the display in 10% increments

RESETTING THE UNIT

- Turn the **MAIN DIAL** to **OFF**
 - When the display reads **ALL OFF**, press **+** until the display reads **CLR ALL**
 - Press **+** until the display reads **ALL OFF** again
- All data will be erased from the system

STOP ALL WATERING

- Turn the **MAIN DIAL** to **OFF**
- This will hold all set watering
- This is ideal during wet weather to suspend all watering until the dial is turned back to **RUN**

RUN A START SEQUENCE

- Turn the **MAIN DIAL** to **RUN A START**
- Press **+** to run the desired **RUN TIME**

- Each **STATION 1** through **6** will run sequentially as per the set watering durations
- Press **+** to cancel all watering immediately

MANUAL WATERING PER STATION

- RUN TIME** will be set to **OFF** by default
- Adjust the run time below 1 or above 255 to turn the station **OFF**

- Press **+** to water this station immediately for the set duration
- Press **+** to stop watering

FUSE

- Use only 1 amp fuse M-205

POWER SUPPLY

This unit can run off a 50Hz external transformer with an output of 24V AC 50Hz

- Input:** 24V AC 50Hz
- Output:** Max 1 amp
- To stations:** 24V AC 50/60Hz, 0.5 amp max
- To master/pump:** 24V AC 0.25, amp max
- Transformer and fuse capacity must be compatible with output requirements
- Overload protection:** Standard 20mm 1 amp fuse
- Output circuits should be installed and protected in accordance with wiring rules

ELECTRICAL CONNECTION

- Installation must be carried out in accordance with these instructions and all Local, State and Federal codes
- Disconnect all 240V AC power before commencing any field wiring or solenoid valve connection

AUTO BACKUP

- During a power outage without a 9V battery fitted, schedules will still be saved in the permanent memory chip
- Clock time (at the time of the power outage) will be retained in memory

Auto Watering

RUN

- Leave the **MAIN DIAL** on **RUN** to automatically water as per set schedules

Initial Setup

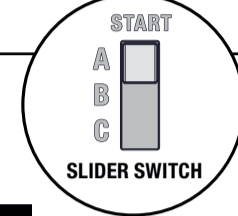
1 SET CLOCK

- Turn the **MAIN DIAL** to **SET CLOCK**
 - Use **+** to scroll between minutes, hours and days
 - Use **+** or **-** to adjust time
- Hint:** You must have the current day and time set to begin setting your watering, ensuring **AM/PM** is correct

Auto Watering Setup

2 CHOOSE A START SEQUENCE

- Set the **SLIDER SWITCH** to **START A**
- Hint:** **START B** and **C** are only required if multiple times are needed per station, on different days



3 SET START TIME

- Turn the **MAIN DIAL** to **SET START TIME**
 - Use **+** or **-** to adjust time, ensuring **AM/PM** is correct
 - Use **+** to scroll between minutes and hours
- Press **+** to delete a start time
- Hint:** Each station will water a full **RUN TIME** and then stop, then the next station will run in sequence, one after the other

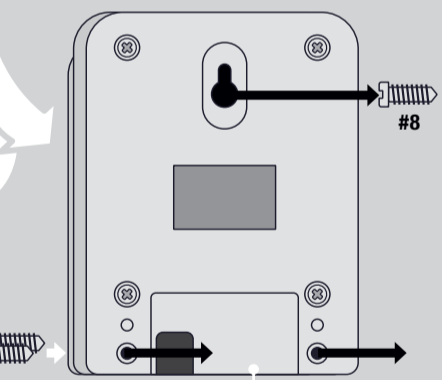
4 SET DAY

- Turn the **MAIN DIAL** to **SET DAY**
 - Use **+** to scroll through **MON** to **SUN**
 - Use **ON** or **OFF** toggle each day **ON** or **OFF** as indicated by **☑**
- Hint:** All days **MON** to **SUN** will be set to **ON** by default
- MON TUE WED THU FRI SAT SUN

5 SET WATERING DURATION PER STATION

- Use the **MAIN DIAL** to select a **STATION** from 1 to 6
- Adjust the **RUN TIME** using **+** or **-**

Installation and Wiring

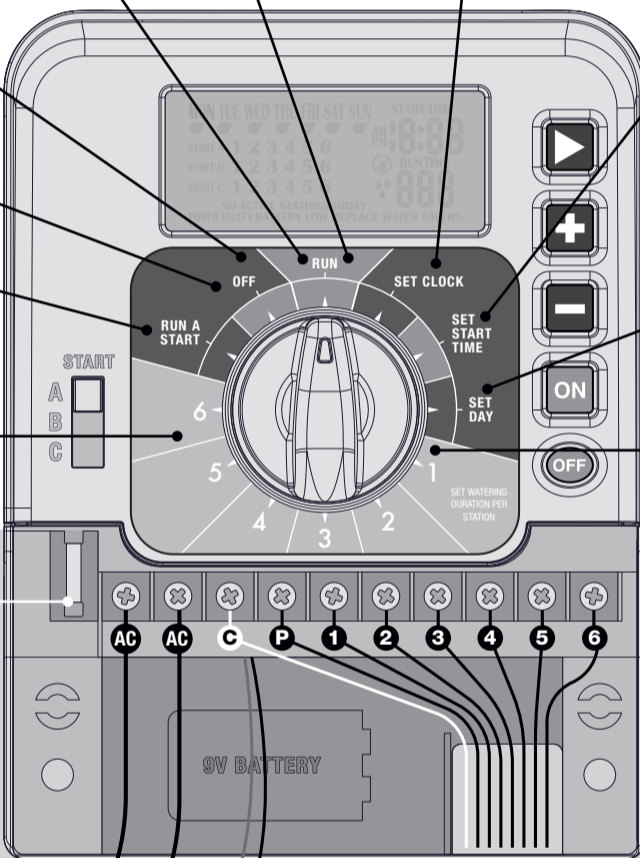


MOUNTING THE UNIT

- The unit is an **indoor model** and must not be exposed to rain or water ingress, or direct sunlight
- Install near a 240V AC outlet
- We recommend mounting the unit at eye level
- Drive a #8 screw into the wall, leaving approx. 4mm exposed. Use a toggle bolt or masonry plug if necessary
- Hang the unit from the key at the back, ensuring it is properly seated
- Optional: Remove the terminal cover to add additional screws through the holes in the lower corners for extra stability

FIELD WIRING

- Hint:** Strip approx. 6mm of insulation and place this under the loosened screw, tighten gently and check the cable is firmly held
- A maximum of 2 solenoid valves can be run off each output
- Connect one cable from the terminals to each solenoid valve
- Complete the circuit by **looping** a common cable to all valves and connecting to the **COMMON (C)** terminal



9V BATTERY

- We recommend fitting a 9V alkaline battery to maintain clock accuracy during power outage
- This battery should be replaced annually
- When connected to 24V power pack, the unit will read **FAULTY BATTERY** if the 9V battery is low or not connected

STATION / VALVE 1 LOCATION:

STATION / VALVE 2 LOCATION:

STATION / VALVE 3 LOCATION:

STATION / VALVE 4 LOCATION:

STATION / VALVE 5 LOCATION:

STATION / VALVE 6 LOCATION:

HOLMAN
EzyONE
CO1306
6 Station Indoor Irrigation Controller **Mini**



6
STATIONS

EASY TO PROGRAM

3
STARTS PER PER STATION

User Guide
2019



Introduction

- i** This 6 station (valve) unit is designed for residential applications
- i** Stations will water in sequential order
1 through 6 on the start days and times nominated

Key Features

- ✓ Up to 6 stations can be operated
- ✓ 7 day watering calendar
- ✓ Stations can be allocated to 3 different start times
- ✓ Each start can have a different watering day scheduled
- ✓ Maximum watering time is 255min (4hr 15min)
- ✓ *WATER SAVER* % feature to reduce all scheduled durations by a fixed percentage
- ✓ Master valve and pump start outputs
- ✓ Permanent memory: never lose your watering settings

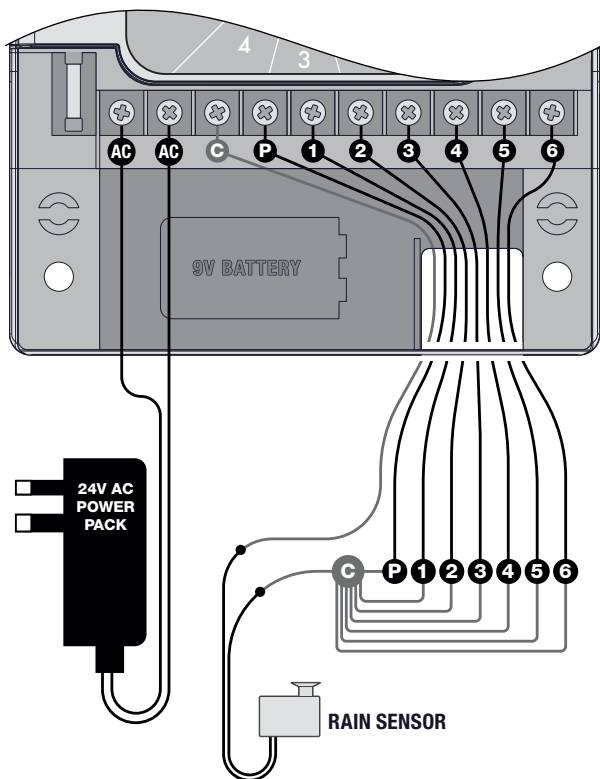


Troubleshooting

Symptom	Possible Cause	Suggestion
No display	Flat battery <u>or</u> no mains power <u>or</u> fuse blown	Install a charged battery. If the display still doesn't work, then check the transformer or the main power supply. If main power supply is working, check and replace the fuse if necessary.
Station not working	Faulty solenoid coil <u>or</u> Broken cable	Swap faulty station wire on controller terminal block with known working station wire. If the faulty valve still does not work on the known working connection then the solenoid coil is faulty. The panel may need to be repaired or the cable may be broken.
Fuse blows	Incorrect wiring or bad wiring joint	Check wiring and joints for a short circuit.
No automatic start	Incorrect programming or blown fuse	If unit works manually check settings. Check fuse and field wiring.
System watering at random	Too many start times entered	Check number of start times entered and when they are scheduled to water. Reset the unit if necessary.

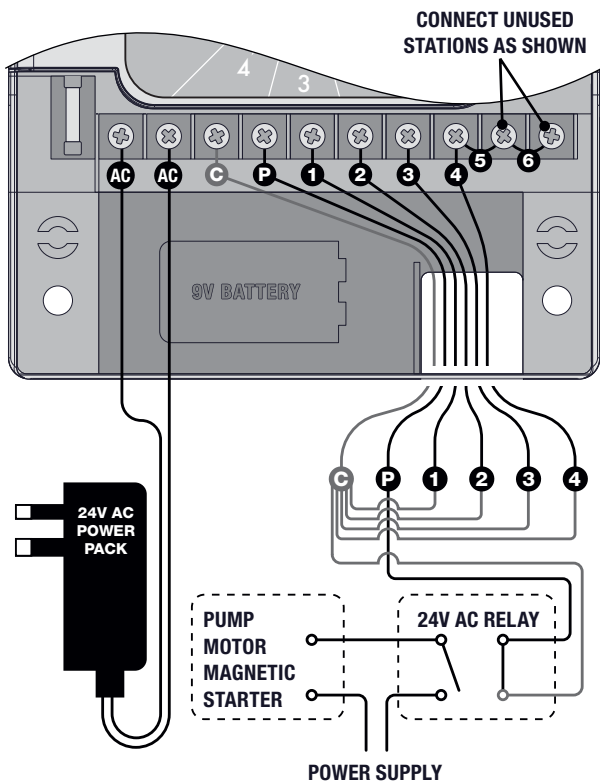
Rain Sensor Connection

- ✔ A rain sensor detects rainfall and tells the controller to suspend watering, resuming after the sensor dries out
- ✔ It achieves this by severing the connection between controller and the solenoid valves
- ✔ To install a rain sensor, wire it to the common, between the controller and valves as shown below:



Pump Connection

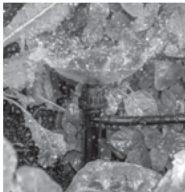
- i** Do not attempt to drive a pump starter directly from the controller
- ✓ Pump start is provided by connecting one side of the coil from a suitable relay to the *MASTER VALVE/PUMP START (P)* output of the controller and the other side to the controller common
- i** For systems supplied with water from a pump, unused stations must be connected back to the last used station to prevent running against a closed head if run times are incorrectly set



- i** If your water is being supplied directly from the main water supply, it is recommended to install an approved *MASTER VALVE*. This is connected to the *COMMON (C)* and *PUMP/MASTER VALVE (P)* terminals



Thanks for being a
#SMARTGARDENER



We really appreciate having you as a customer, and would like to say thank you for choosing us. Should you have any questions about this product or its operation please call customer service on **1300 716 188**.

We hope you are happy with our product and if you have a moment to leave a review, we would like to hear your feedback on the Product Review website. www.productreview.com.au then search for our product name

HOLMAN

For the **#SMARTGARDENER**   

Head Office/Service
11 Walters Drive, Osborne Park WA 6017
Tel: +61 8 9416 9999 Fax: +61 8 9416 9920
service@holmanindustries.com.au
www.holmanindustries.com.au

Copyright © 2019 Holman Industries