



HOLMAN

**DIGITAL
RAIN GAUGE**





 **WS202A** 
INSTRUCTION MANUAL





Table of Contents

General Information	1
Glossary - LCD Display	2
Battery Compartment	3
Installation	4-5
Initial Operation	6
Operation MANUAL Setup	7
Notes	8-9
Guarantee	10





General Information

Thank you for purchasing the HOLMAN Digital Rain Gauge. Please read the operating instructions carefully to familiarize yourself with the features and modes of operation before using the instrument.

Packaging Contents

Carefully unpack and remove the contents:

- 1x receiver inside and 1x rain gauge outside connected with 5m wire.
- Mounting screws.

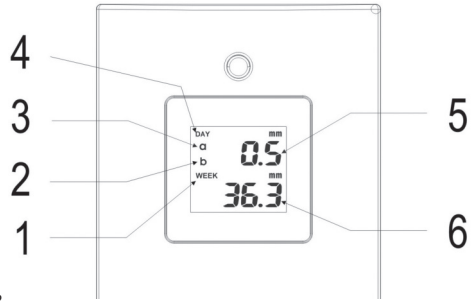
Technical Details

- 2 keys: DAY A, DAY B.
- Day rainfall in 24 hours in mm (0~199.9mm)
- Week rainfall (7 days)in mm (0~1999.9mm)
- Rain data on LCD will be updated as soon as the rain gauge get updated.
- LED flashing when working (updating data or any key operation).
- LED no flashing in case of no working in 30 minutes.
- Receiver batteries: 2 x AAA Batteries (not included).





Glossary - LCD Display



- 1. Week
- 2. Day b
- 3. Day a
- 4. Day
- 5. Day Rain Volume
- 6. Week Rain Volume





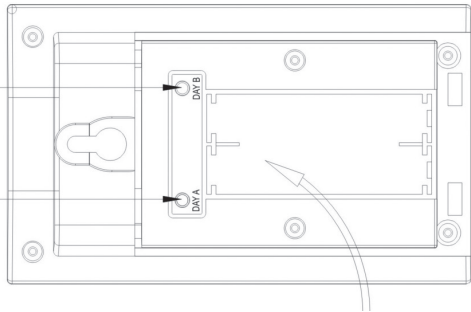
Glossary - Battery Compartment

A. Day a

B. Day b

B

A





Installation



4

- Open the receiver's battery cover located at the back of the unit and insert 2XAAA batteries into the battery compartment.
- Suggest the receiver to be put on flat surface or be hung on at the place of water-free to avoid rain or dipping in water.
- Mounting the rain gauge: there are vertical engraved lines at the bottom edge of the round cover and the sensor part, you only need adjust the two lines into one position,



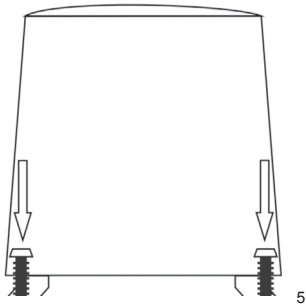


Installation

then turn clockwise, the rain sensor parts will be connected well, then fix them with 4 screws onto the flat surface (don't use only 2 screws)

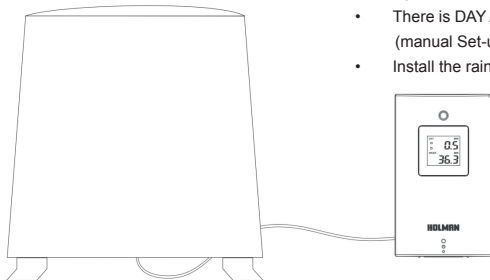
For accurate reason, the rain sensor should be securely mounted onto a horizontal surface and in an open area away from trees and other coverings where rainfall may be reduced to cause inaccurate reading.

Note: Fix Rain gauge in a high place to keep from falling into heavy rain water as this will prevent the gauge from providing accurate data.





Initial Operation



6

- Open the back cover, insert the batteries.
- There is DAY A, DAY B button, pls follow below (manual Set-up) for the operation.
- Install the rain gauge.





Operation - MANUAL Setup

- DAY a on LCD is for 24 hour rain fall, day roll time is from the moment of inserting the batteries.
- Press DAY A at the back side to reset the day roll time (ie, if you insert the batteries in 09:00AM, but press DAY A in 10:00AM, then the new day roll time start from 10:00AM~09:59AM)
- Hold DAY A for 3 seconds to clear up the Day a data.
- Day b on LCD is for the rain fall in some period of one day .(ie, you hold Day b for 3 seconds at 11:00AM, assuming Day a rolling time is from 10:00AM~9:59am, then Day b is the data from 11:00AM ~09:59AM)
- Press DAY B button to exchange to Day b, there is --.- from the initial .
- pls hold DAY B button for 3 seconds to let it show 0.0 every time you want the Day b data. then the Day b data start to be cacaluated.
- WEEK data is not affected by the set of DAY data.
- Take away the batteries to reset all the DAY and WEEK data.



Notes:





Notes:





Guarantee



DIGITAL RAIN GAUGE



WS202A



We will honour all statutory guarantees that this product is of acceptable quality.
(including that it is fit for purpose)

HOLMAN Industries: 47 Walters Drive, Osborne Park, WA 6017.
Ph: +61 8 9204 1011 Fax: +61 8 9204 1013 www.holmanindustries.com.au

