



# HOLMAN

**Should you have any questions about this product or its operation please telephone our customer service helpline on 1300 716 188.**

HOLMAN offer a 3 year replacement warranty from the original date of purchase.

HOLMAN offer no guarantee or compensation for subsequent damage or waste of water.

It is the responsibility of the user to check that the product is always operating satisfactorily.

To claim warranty the product MUST be returned with a copy of the original receipt.

We will honour all statutory guarantees that this product is of acceptable quality (including that it is fit for purpose). Product images may change without notice.

# HOLMAN

For the #SMARTGARDENER   

#### Head Office / Service

11 Walters Drive, Osborne Park WA 6017  
Ph: +61 8 9416 9999 Fax: +61 8 9416 9920

[service@holmanindustries.com.au](mailto:service@holmanindustries.com.au)  
[www.holmanindustries.com.au](http://www.holmanindustries.com.au)

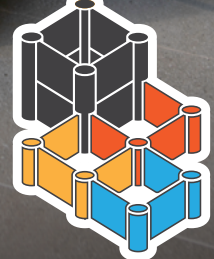
Copyright 2018 Holman Industries



Product Code: RGB1505



**1,2,3+**  
**MODULAR**  
GARDEN BED SYSTEM



## RAISED GARDEN BED

500mm x 500mm x 150mm

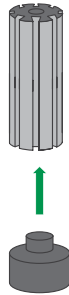
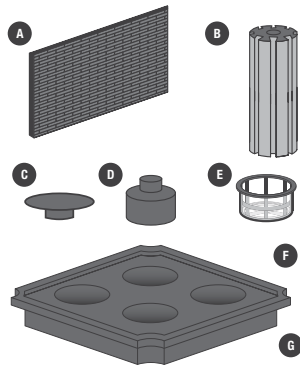
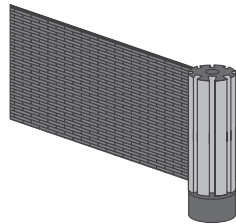
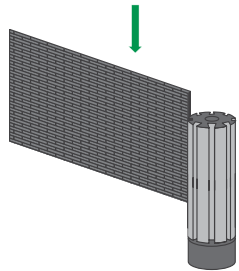
## Instruction Manual

## Contents List

- A** 4 × 500mm × 150mm panels
- B** 4 × 160mm corner pillars
- C** 4 x caps
- D** 4 x feet
- E** 5 × mesh pots
- F** 1 × drip tray lid
- G** 1 x drip tray

## Installation

1. Location is important when growing plants in a raised garden bed. Depending on the type of plants and the amount of sun light exposure required, choose a full or part sun location for your garden bed.
2. Place the feet on the end of each pillar.
3. Slot the panel in the pillar with the tongue facing up. Do the same for each one.



4. Once all the panels are placed, install the caps on top of the pillars.
5. Place the drip tray into the base of the raised garden bed, then place the tray lid on top of the drip tray.
6. Place all 5 mesh wells in the hole cut outs in the tray lid.
7. Fill the Raised Garden Bed with potting mix and plant you herbs, vegetables or flowers.

