

1

2

3

4

5

6

A

B

C

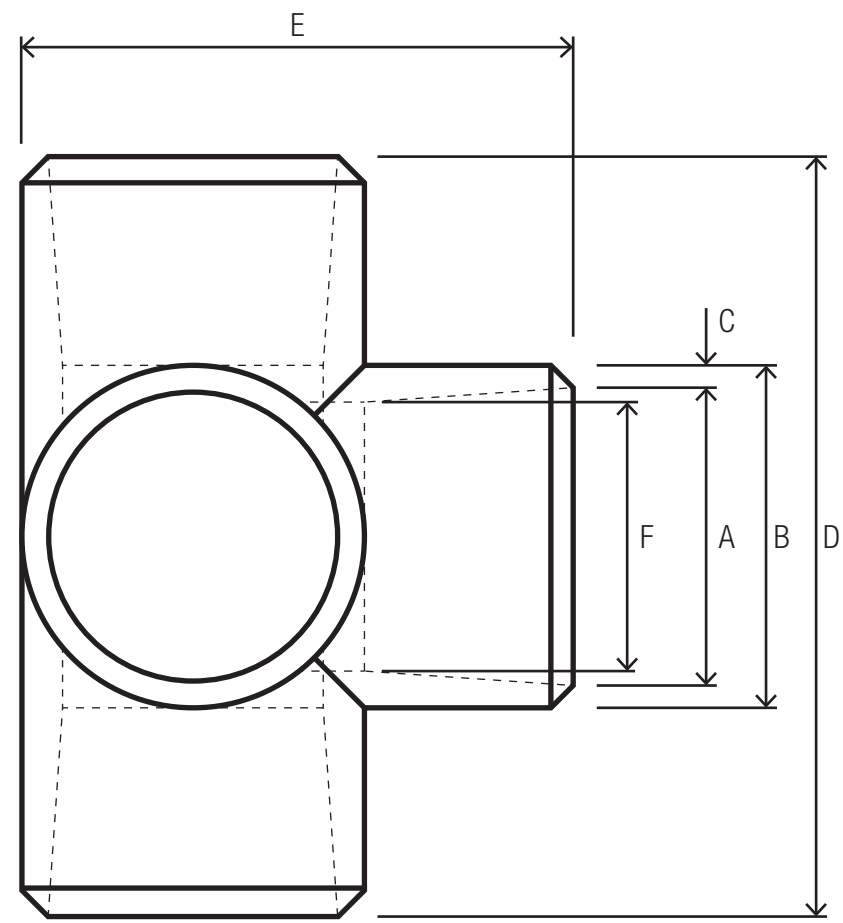
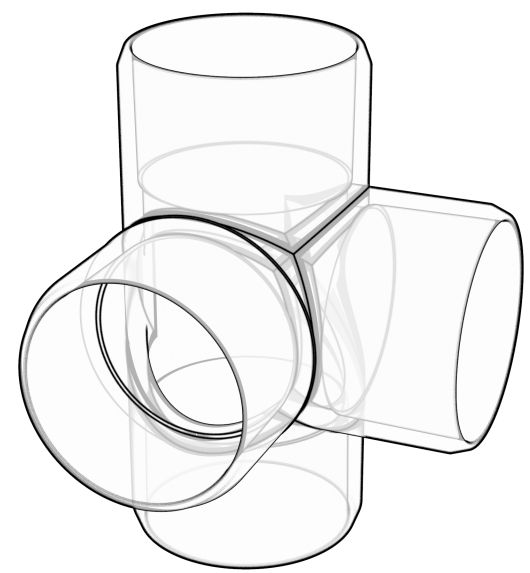
D

A

B

C

D



ALL DIMENSIONS IN mm  
UNLESS OTHERWISE STATED

	15mm PVJ154	20mm PVJ204	25mm PVJ254	32mm PVJ324	40mm PVJ404
A <b>MOUTH DIAMETER</b>	21.7	27.2	34.0	42.8	48.6
B <b>OUTER DIAMETER</b>	27.7	33.2	41.2	50.0	55.8
C <b>WALL THICKNESS</b>	3.0	3.0	3.6	3.6	3.6
D <b>OVERALL LENGTH</b>	65.7	79.7	87.5	106.0	116.0
E <b>OVERALL WIDTH</b>	46.7	55.8	64.0	78.8	86.0
F <b>ROOT DIAMETER</b>	21.0	26.3	33.1	41.8	47.8



HOLMAN INDUSTRIES RETAIN THE INTELLECTUAL  
PROPERTY RIGHTS FOR THE CONTENTS OF THIS DRAWING

REV	8	DATE	12/6/2020
DESCRIPTION	EZYFIT™ 4 WAY JOINT		
DRAWN	N MARTELLA		
CHECKED	W EDWARDS		

AS/NZS	1477:2017
	PRESSURE PIPE & FITTINGS
WATERMARK LIC.	WM 74851
	PERTH

MATERIAL	PVC
CAVITIES	1
MOULDING SITE	PERTH

PRESSURE	PN18
DRAWING NO.	PVJxx4
SCALE	NTS
SHEET	A4

CHIEF ENGINEER  
W EDWARDS

1

2

3

4

5

6